



800-752-9815
 Made In America
 24/7 Tech Support



LANDING GEAR SYSTEMS

GOOSENECK, BUMPER PULL & 5TH WHEEL TRAILERS

- Standard weatherproof controls or optional wireless key fob operation!
- Available systems:
 - Single jack in a wide variety of options for a wide variety of trailer type.
 - Dual jacks with a single pump for an economical way to lift your trailer.
 - Dual jacks with dual pumps for side to side leveling capability.
- Weatherproof tank assembly that can mount right to the jack or anywhere outside.
- Emergency manual override retract operation to get out of tough jams.
- Powder coated cylinders made at our facility with standard lift capacities from 6,000 to 17,000 pounds per jack with a range of 16" to 24" of travel.
- Ask about our optional adjustable foot pad that adds 4" of extension!

About Quadra Manufacturing

We are a family owned & operated company that has been making high quality hydraulic landing gear & leveling systems since 1988. Located in southwest Michigan, we take pride in the fact that all of our main components come from the Midwest region of America!

Available Systems:

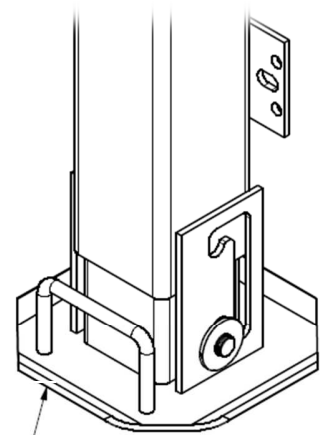
- Four & Six Point Automatic Leveling Systems
- Four & Two Point Automatic & Manual Stabilizing Systems
- Two & One Point Trailer Landing Gear



Available Applications:

- Motor Homes, Trucks & Specialty Vehicles
- 5th Wheel, Gooseneck & Bumper Pull Trailers.

visit bigfootleveler.com for more information, videos, installation photos, downloadable content & secure online store. Email blehman@quadraleveler.com



Adjustable Footpad #M27371
 Adds over 4" of extension